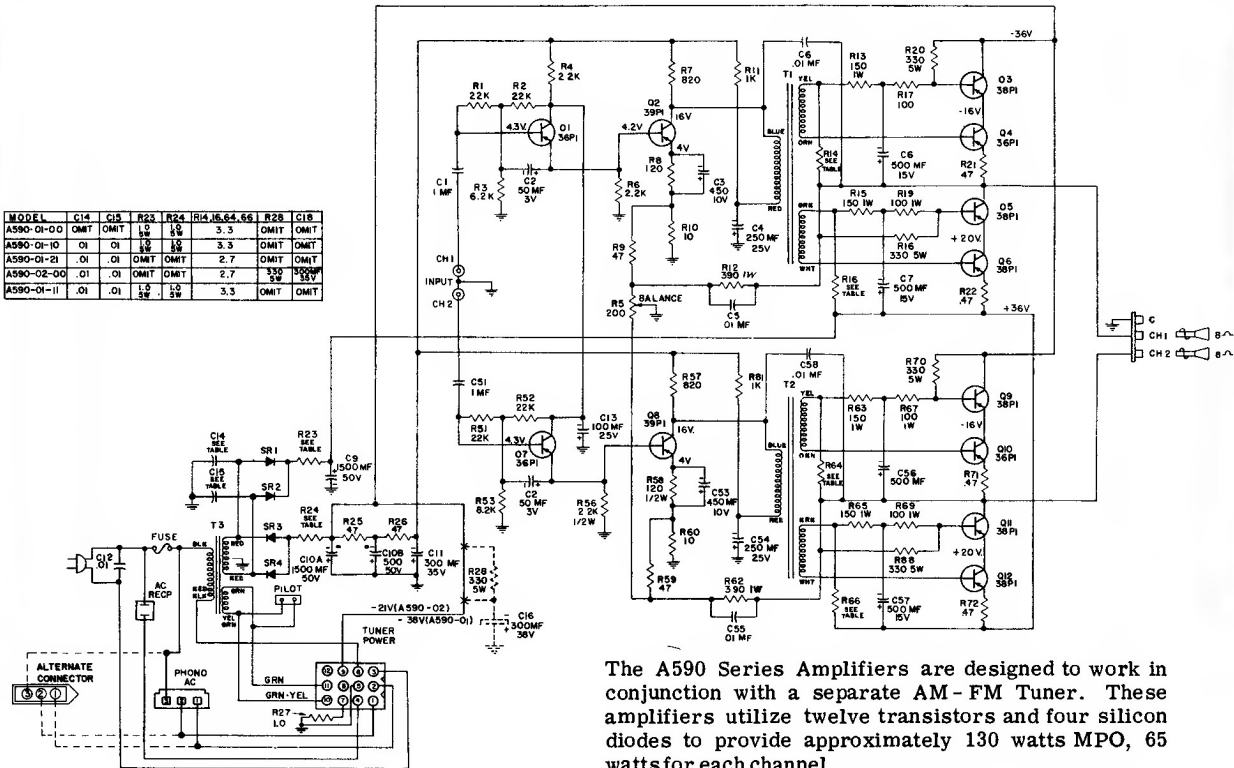


A590 SERIES AMPLIFIER CHASSIS

MODEL	C14	C15	R23	R24	R14	6.64	66	R28	C18
A590-01-00	OMIT	OMIT	1.0 5W	1.0 5W	3.3	OMIT	OMIT	OMIT	OMIT
A590-01-10	01	01	1.0 5W	1.0 5W	3.3	OMIT	OMIT	OMIT	OMIT
A590-01-21	01	01	OMIT	OMIT	2.7	OMIT	OMIT	OMIT	OMIT
A590-02-00	.01	.01	OMIT	OMIT	2.7	330 5W	330 5W	330 5W	330 5W
A590-01-11	.01	.01	1.0 5W	1.0 5W	3.3	OMIT	OMIT	OMIT	OMIT



The A590 Series Amplifiers are designed to work in conjunction with a separate AM-FM Tuner. These amplifiers utilize twelve transistors and four silicon diodes to provide approximately 130 watts MPO, 65 watts for each channel.